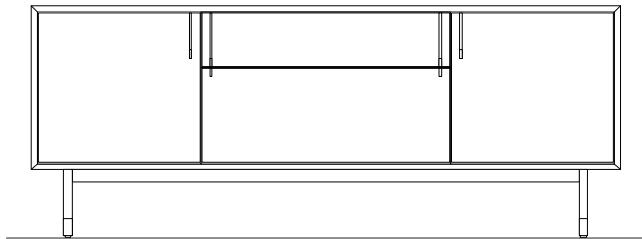
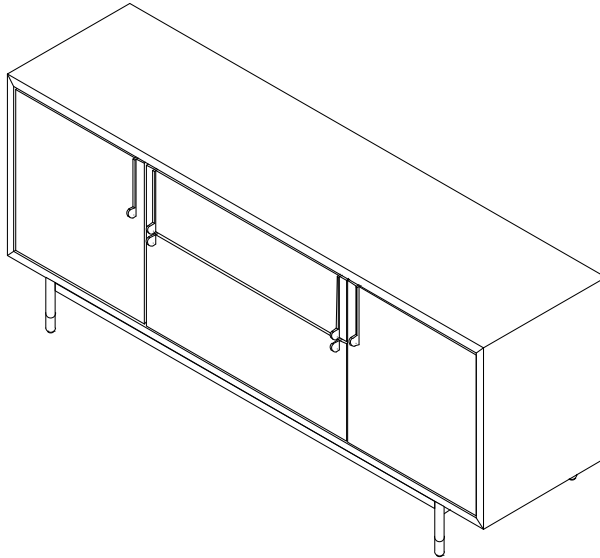


BROOME

CREDENZA Nº 25

credenza with two doors and two drawers



DIMENSIONS: 72" W x 28" T x 20" D

WOOD FINISHES: various veneers and stains or spray lacquer paint

METAL FINISHES: brass, stainless steel, blackened steel, or paint

HARDWARE: Häfele, Blum, or custom

OPTIONS: veneer, color, hardware, and dimensions